

# PLASTIC CUTTING SAW

MODEL KS-224

## Cuts plastic to 3/8" Easily converts to scissor shears

The KETT KS-224 is perfect for cutting acrylic plastic. It's equipped with new 3 3/8" diameter equal rake cutting blades that let you cut with a smooth edge, without chipping.

Optional blades are available (also 3 3/8") for cutting a variety of materials, including plywood, hardboard, pressed board, siding, signs, cabinet tops, PVC, and mild steel 24 gauge and lighter. The KS-224 has a spring loaded blade guard, which automatically covers the blade when tool is not in use.

Optional 80-20 Scissor Shear Head (for cutting plastics) and other interchangeable cutting heads, as shown on the reverse side, allow quick conversion from saw to shear. The KS-224 may also be purchased in a complete plastic cutting kit (Kit No. 104). It includes a 120 volt power unit, 3 3/8" diameter blades, and interchangeable scissor shear head, all contained in a compact, portable all-steel carrying case.



Perfect for cutting a variety of materials, KS-224 cuts with a smooth edge...no chipping

### A versatile cutting saw for . . .

- Plywood
- Hardboard
- Pressed Board
- Siding
- Signs
- Cabinet Tops
- PVC
- Acrylic Plastics
- Mild Steel





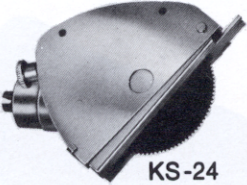



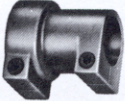
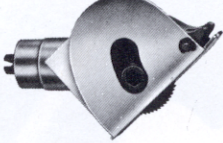





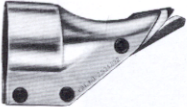





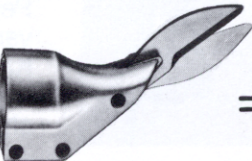
### Kett 157-710Z Replacement Blades

Order special 3 3/8" diameter, 100 teeth, 7/16" arbor, 43° rake plastic cutting blades. One dozen blades packed in protective metal canister.



# INTERCHANGEABLE CUTTING HEADS

Electric Power Unit + Cutting Head Assembly = KETT Model Number

	+					=	<b>KS-224 PLASTIC CUTTING SAW</b> Capacity 3/8" Plastic	
253-45		132809	170-25	567-2A	KS-24			
	+					=	<b>KS-226 PANEL SAW</b> Capacity 18 ga. C.R.S.	
253-45		132809	170-25	567-2A	KS-26			
	+						=	<b>K-200 POWER SHEAR</b> Capacity 18 ga. C.R.S.
253-45		132809	60-25	60-24	60-20H			
	+						=	<b>K-280 SCISSOR SHEAR</b> Pliable Sheet
253-45		132809	60-25	60-24	80-20H			

Kett offers you a complete family of electric power tools for cutting light sheet metal and plastics. There are four interchangeable heads, each designed to handle a variety of sheet materials. All cutting heads are powered by the same 120 volt power unit.



5055 Madison Road • Cincinnati, Ohio 45227 • (513) 271-0333